

OEM

HMM05



HUMCAP

HMM05

/
I C
-40°C...+180°C
, +200°C
HUMCAP 180R
M0x1
2 N ST

HUMCAP	HMM05	
(RH)	(T) I C	HMM05
	M0x1	
30		I C
	HUMCAP 180R	HMM05
		I C HMM05 I C
CEM		
HMM05	(-40°C)	
+180°C		
	+200°C	
HMM05	OEM	

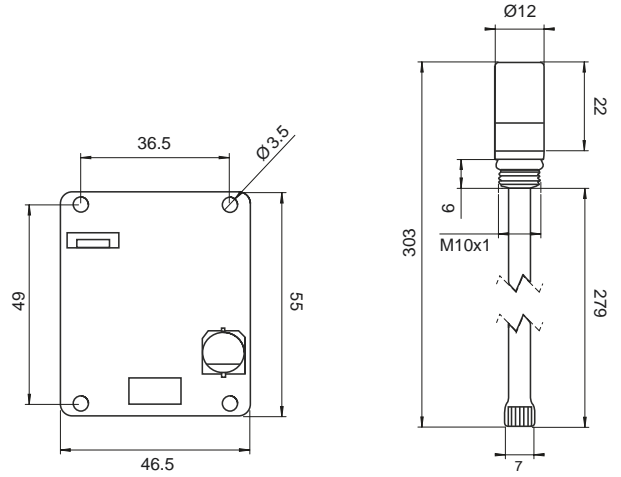


( )	0... 100 %RH
( )	-20... +40°C
0... 90 %RH	± 2 %RH
90... 100 %RH	± 3 %RH
0... 90 %RH	-40... -20°C, +40... +180°C
90... 100 %RH	± 2.5 %RH
(+20°C)	± 3.5 %RH
	± 1.5 %RH
	HMICAP 180R
( <20 )	-20... +100°C (-4... +212°F) T
( )	± 2°C T

( )	-5... +55°C (+23... +131°F)
( )	-40... +180°C (-40... +356°F)
PIFE	+200°C (+392°F)
	-40... +200°C
	(-40... +392°F)
	-20... +80°C (-4... +176°F)
	-40... +75°C (-40... +167°F)
	EN61326-1

	10... 35 VDC, 24 VAC (± 20 %)
(DC/AC)	I C 5 V
I C	<15/25 nA
	Mol ex 87832-1007, 10-

	12 mm
	0.3 m
	PPS
PIFE	HMICAP180R
	DRW239993SP
	6221
PIFE	10159HM
	219452SP
	HM7280SP
Mol ex milli-grid	0.6
	ASM210962SP



详情请访问: [www.system-instruments.com](http://www.system-instruments.com)  
 电话: 0756-2127068  
 授权代理商: 珠海赛思特仪表设备有限公司



Ref. B211377ZH-A ©Vaisala 2015  
 Vaisala / Vaisala  
 Vaisala

