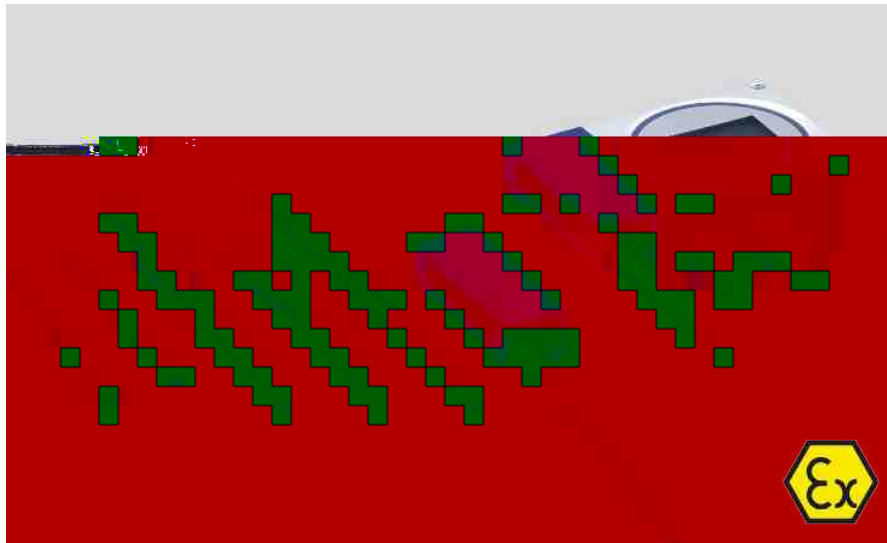


HMT360



HMT360 6

- HMP361 -
- HMP363 -
- HMP364 -
- HMP365 -
- HMP367 -
- HMP368 -

HUM CAP
(),

HMT361

/

- 1 2 (,), 1G /0
1D /20 , ()
- HUM CAP
- 6
- 70 +180° C
(- 94 +356° F),
- NST

HUM CAP

HMT360

HMT360

HUM CAP

HMT360

HMT 360

HMT 360

, HMT360

HMT360

HMP361

- 40 ... +60 °C
 (- 40 ... +140 °F)
 12

()

HMP361

HMP363

- 40 ... +120 °C
 (- 40 ... +248 °F)
 - 40 ... +80 °C
 (- 40 ... +176 °F)

10
 12

210697

M20x1.5
 12mm
 1/2" NPT

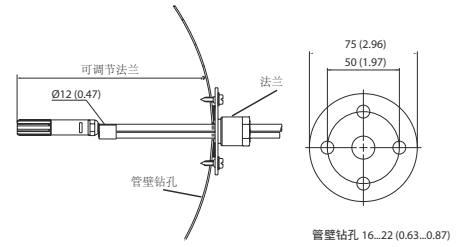
HMP247CG

(swagel ok)

SWG12NPT12

()

HMP363



HMP364

HMP364

- 70 ... +180 °C
 (- 94 ... +356 °F)
 0 ... 10 MPa
 10
 12

M22x1.5 17223
 NPT1/2 17225

()



HMP365

HMP365

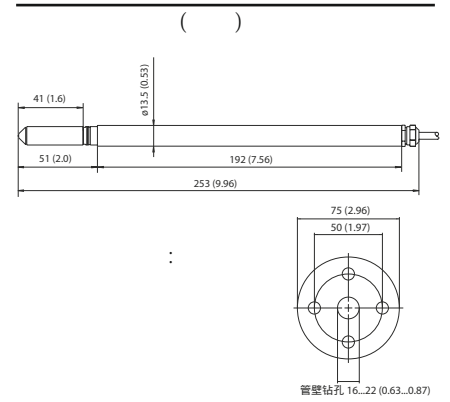
- 70 ... +180 °C
(- 94 ... +356 °F)

, 10
13.5

210696

M20x1.5

HMP247CG



HMP367

HMP367

- 70 ... +180 °C
(- 94 ... +356 °F)

, 10
12

210697

M20x1.5

HMP247CG

12mm , 3/8" ISO

(swagel ok)

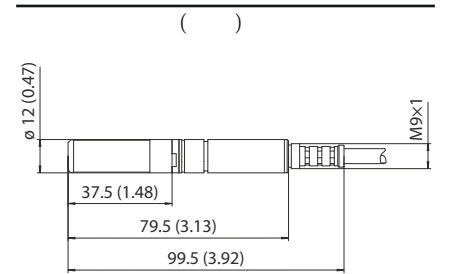
SWG12I SC88

12mm

, 1/2" NPT

(swagel ok)

SWG12NPT12



HMP368

HMP368

- 70 ... +180 °C
(- 94 ... +356 °F)

0 ... 4 MPa

, 10
13.5 12

ISO 1/2

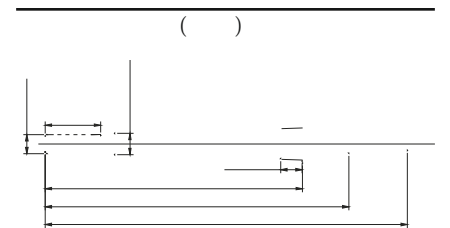
DRV212076SP

NPT 1/2

NPTFI TBCDASP

ISO 1/2

BALLVALVE- 1





0... 100 %RH

(,)

HLMICAP 180R

+15... +25°C (59... +77°F) ± 1.0 %RH (0... 90 %RH)

± 1.7 %RH (90... 100 %RH)

-20... +40°C (-4... +104°F) ± (1.0 + 0.008 x) %RH

-40... +180°C (-40... +356°F) ± (1.5 + 0.015 x) %RH

HLMICAP 180L2

-10... +40°C (14... +104°F) ± (1.0 + 0.01 x) %RH

-40... +180°C (-40... +356°F) ± (1.5 + 0.02 x) %RH

(+20°C) ± 0.6 % RH (0... 40 %RH)

± 1.0 % RH (40... 97 %RH)

(± 2 ,)

+20°C (+68°F) (90 %)

17 s

50 s

60 s

+

-70... +180°C (-94... +356°F)

()

+20°C (+68°F) ± 0.2°C (0.36°F)

0.005°C/°C (0.005°F/°F)

Pt 1000 RTD FO.1 IEC 60751

-40... +60°C (-40... +140°F)

-20... +60°C (-4... +140°F)

-40... +70°C (-40... +158°F)

EMC EN61326 - 1,

- EMC ;

(EXI) , IEC

1000 - 4 - 5

12... 28V

15... 28V

()

4... 20 mA

+20°C ± 0.05 %

0.005 % °C (0.005 % °F)

RS232C RJ45

, 0.33... 2.0 mm² (AWG 14 - 22)

7.5... 12mm 10... 15mm (M20)

NPT 1/2" (M20)

G-Al Si 10Mg (DIN 1725)

IP66 (NEMA 4X)

950

(HMP363/367) 210697

(HMP365) 210696

ISO 1/2 (HMP368) BALLVALVE-1

+20°C (+68°F) : 0... 20 bar (0... 290 psi a)

[/ , 10 bar (145 psi a)]

HMK15 211302

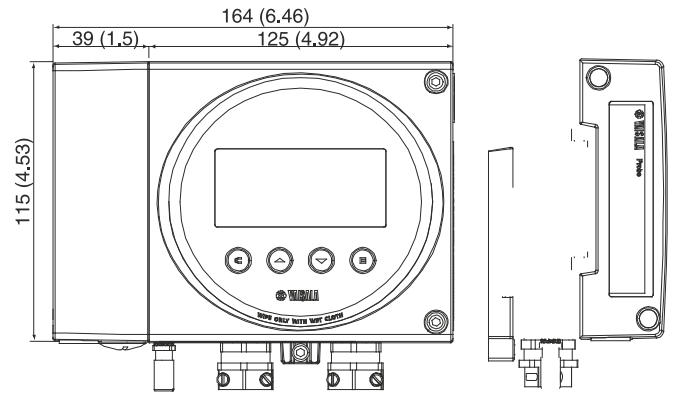
RJ45 - D9 25905ZZ

212483

210664

(, ATEX) 214101

II 1 D IP65 T = 80°C



		HMT361		HMT364	HMT365	HMT367	HMT368
ISO 1/2	BALLVALVE- 1						√
M20 x 1.5	HMP247CG		√		√	√	
	210697		√			√	
ISO1/2	DRV212076SP						√
1.5M22 x 1.5	17223			√			
NPT1/2	17225			√			
NPT1/2	NPTFI TBCDASP						√
	210696				√		
12mm	, 1/2" NPT		√			√	
12mm	, 3/8" ISO		√			√	
	212483	√	√	√	√	√	√
	210664	√	√	√	√	√	√



VAISALA



Ref. B210956ZH-E ©Vaisala 2016

Vaisala / Vaisala

Vaisala

