

### 产品特点

- 3
- IP65
- Indigo
- 24 V AC/DC
- 3 mA V
- Insight PC Indigo80



Indigo300

Indigo

### 适用于维萨拉 Indigo 兼容探头的数据处理单元

- HMP
- TMP1
- DMP
- GMP250
- HPP270
- MMP8

Indigo300

Indigo

3

### 便于连接和维修

4 mm

Insight PC Indigo80

Insight Indigo80

### 坚固设计

IP65

### 多种安装选项

DIN

HMT 330 DMT 340 MMT 330

Indigo300

Indigo  
<http://>

[www.vaisala.com/indigo](http://www.vaisala.com/indigo)

## Indigo 兼容探头

测量类型	探头型号
	HMP1 HMP3 HMP4 HMP5 HMP7 HMP8 HMP9
	TMP1
	DMP5 DMP6 DMP7 DMP8
	GMP251 GMP252
	HPP271 HPP272
	MMP8

## 工作环境

	- 20 ... +60 °C
	- 30 ... +70 °C
	0 ... 100%RH
	5000m
IP	IP65
注意:	

## 输入和输出

	15 ... 30VDC <sup>1)</sup> 24VAC ± 10% 50/60Hz
	2.5A
	<ul style="list-style-type: none"> <li>USB2 262195 Insight<sup>2)</sup></li> <li>262195 Indigo80</li> </ul>
模拟输出	
	3
	0 ... 1V 0 ... 5V 0 ... 10V 1 ... 5V R <sub>L</sub> 10k
	4 ... 20mA 0 ... 20mA R <sub>L</sub> 500
20 °C	± 0.1 % <sup>3)</sup> ± 0.005 %/°C

### 20 °C 时的电流消耗量 (U<sub>输入</sub> 24 V DC)

	4)	13mA
		31mA
U	0 ... 1V 0 ... 5V 0 ... 10V 1 ... 5V	+ 1.8mA
I	4 ... 20mA 0 ... 20mA	+ 12.3mA

- 1) HMP7  
2) <http://www.vaisala.com/insight>  
3) 18VDC Windows® Insight  
4)

## 合规性

	EMC (2014/30/EU) RoHS (2011/65/EU) 2015/863
EMC	EN IEC 61326-1
EMC	CISPR 32/EN 55032 A FCC 15 B A ICES-3/NMB-3 A
	CE, RoHS, FCC, RCM, UKCA

## 机械规格

	EN AW-6082
	1.5mm <sup>2</sup>
	• M20× 1.5 / NPT 1/2"
	• M16× 1.5 / NPT 1/2"
M20x 1.5	7 ... 13mm
M16x 1.5	2 ... 6mm
	161 × 134 × 43.5mm
	1200g

## 探头连接电缆

### 与锁轮一起使用的电缆

1 m		INDIGOCABLE1M
H <sub>2</sub> O <sub>2</sub>	1 m	INDIGOCABLEHD1M5
3 m		INDIGOCABLE3M
H <sub>2</sub> O <sub>2</sub>	3 m	INDIGOCABLEHD3M
5 m		INDIGOCABLE5M
H <sub>2</sub> O <sub>2</sub>	5 m	INDIGOCABLEHD5M
10 m		INDIGOCABLE10M
H <sub>2</sub> O <sub>2</sub>	10	INDIGOCABLEHD10M

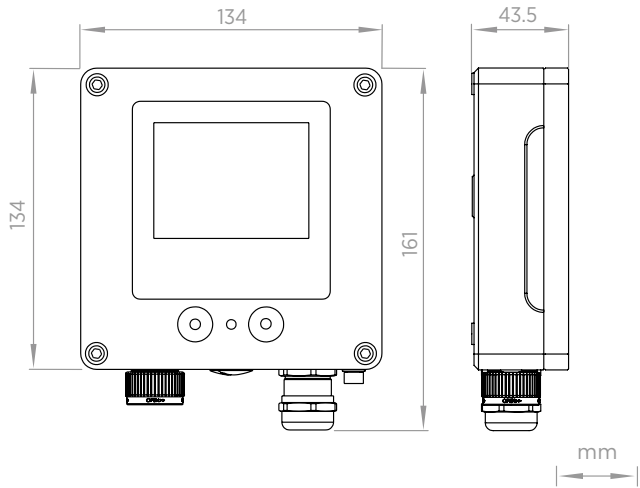
m

### 与压盖一起使用的固定电缆

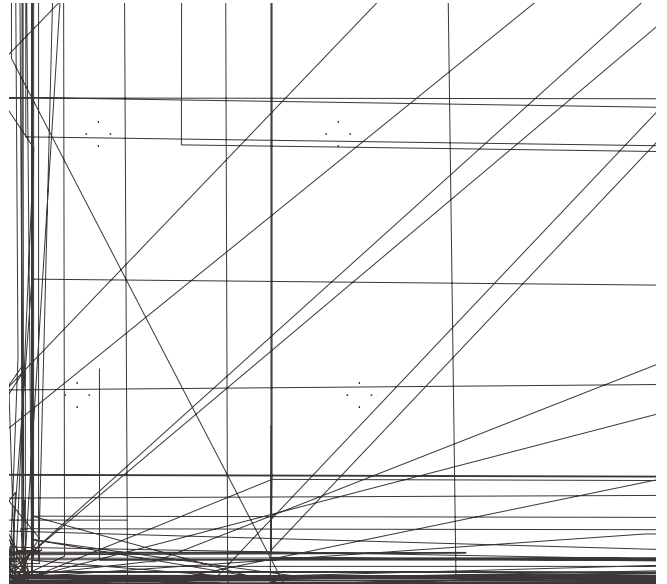
0.3m	CBL210896-03MSP
1 m	CBL210896-1MSP
3 m	CBL210896-3MSP
5 m	CBL210896-5MSP
10m	CBL210896-10MSP

## 备件和配件

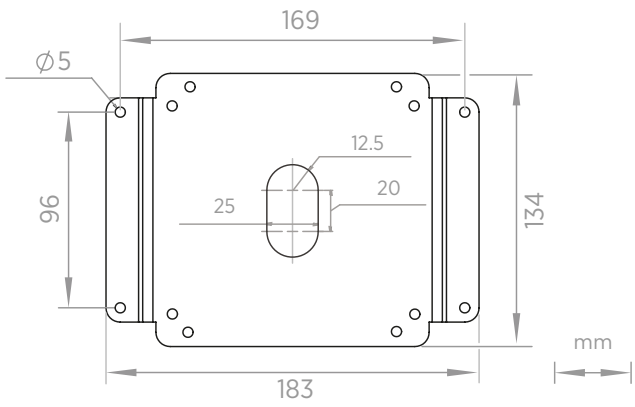
330	DRW257715SP
DIN	ASM215071SP
Insight M12 - M8	USB2 262195SP
Indigo M12 - M8	262195SP
1.5 m	262195SP
7.0... 13.0mm	M20 253993SP
× 1.5	
NPT1/2"	M20 214780SP
× 1.5	
2.0... 6.0mm	M16 ASM213671SP
× 1.5	
NPT1/2"	M16 210675SP
× 1.5	
M20	ASM213672SP
M16	210369SP
	DRW257660SP



Indigo300



Indigo300



Indigo300

(DRW257715SP)