



Indigo520

Indigo



Indigo520

- Indigo
- 2
- IP66 NEMA 4
- 4
- 2
- Web
- Modbus
- TCP/IP
- UL

1 2 Indigo

- BAROCAP®
- LED

- HPP270
- MMP8

TCP/IP Modbus
Web

30m
Indigo500
MHT 410

IP66
(IK08)
(30%)

H₂O₂

Indigo500
Indigo

Indigo
www.vaisala.com/indigo

DIN
HMT 330 DMT 340
MMT 330

- HMP
- DMP
- GMP250

Indigo520 (mA) 4
2

V[Ya

HMP1 HMP3 HMP4 HMP5 HMP7 HMP8 HMP9
TMP1
DMP5 DMP6 DMP7 DMP8
GMP251 GMP252
HPP271 HPP272
MMP8

MHT410	MHT410
--------	--------

	500 ... 1100 hPa
A	
	± 0.05 hPa
	± 0.03 hPa
	± 0.03 hPa
	± 0.07 hPa
+20 °C	± 0.10 hPa
	± 0.1 hPa
-40 ... +60 °C	± 0.15 hPa
/	± 0.1 hPa
100%	
	2
	hPa mbar kPa Pa inHg mmH20 mmHg torr psia

NEMA	NEMA 4
	IK08 DIN EN ISO 11997-1 B (VDA 621-415)
	AISI10Mg (DIN 1725) (IK08)
	1.5 kg
x x	142 x 182 x 67 mm
M20 x 1.5	5.0 ... 9.0 mm
M20 x 1.5	7 mm
M16 x 1.5	2.0 ... 6.0 mm

Web

--

#fi

(PELV)	15 ... 35 V DC 24 V AC ± 20% 50/60 Hz 2 A
	3 A 500 V AC 1000 V DC
PELV	+80 °C
	100 ... 240 V AC 50/60 Hz 1 A
	10 A 1500 V AC (PoE) IEEE 802.3at
2.4	600 mA 25.5 W 500 V AC 1000 V DC
	4
	0 ... 1 V 0 ... 5 V 0 ... 10 V
	4 ... 20 mA 0 ... 20 mA
	2.5 mm ²
+20 °C	± 0.05%
	± 0.005% / °C
	R _L < 500
0 ... 1 V	R _L > 2 k
0 ... 5 V 0 ... 10 V	R _L > 10 k
	2 SPDT
	30 W 1 A 40 V DC / 28 V AC
PELV	2.5 mm ²
	1.5 mm ²
	10BASE-T 100BASE-TX
	8P8C (RJ45)
	Modbus TCP/IP 502 HTTPS 8443
1)	
	0 ... 100% RH
	3000 m
IP	IP66 ¹⁾
	- 20 ... +55 °C
	- 40 ... +60 °C
	- 40 ... +55 °C
	- 30 ... +60 °C
	- 40 ... +60 °C

1) Eurofns UL

EMC (2014/30/EU)
(2014/35/EU)
RoHS (2011/65/EU) 2015/863

DRW252186SP

215108

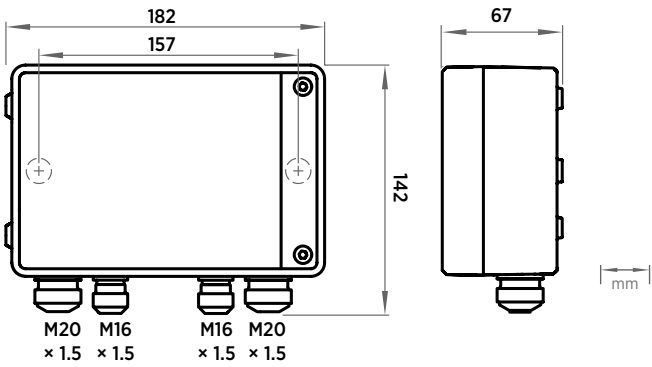
215109

EMC	IEC/EN 61326-1 CISPR 32/EN 55032 B IEC/EN 61010-1
	DNV GL TAA000032M
	CE, RoHS, FCC, RCM
	SGS UL
FCC	FCC 15 B

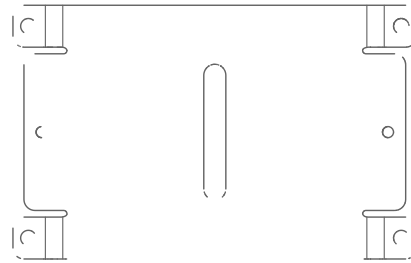
1 m	CBL210896-1MSP
3 m	CBL210896-3MSP
5 m	CBL210896-5MSP
10 m	CBL210896-10MSP



M20x 1.5	5.0... 9.0mm	ASM213670SP	
	M20x 1.5 ¹⁾	262632SP	
	M16x 1.5	2.0... 6.0mm	ASM213671SP
M20 x 1.5	NPT1/2"	214780SP	
1)	7 mm	8P8C (RJ45)	14 mm



Indigo520



Indigo500